

Pressure Switch PS 115

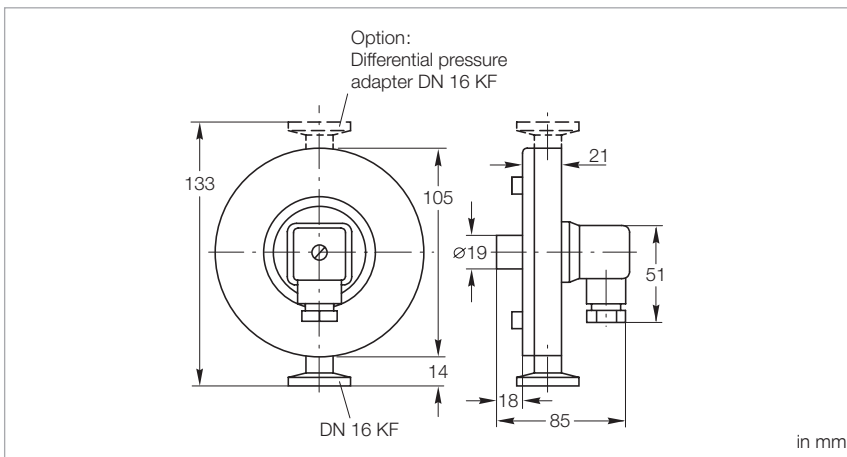


Rugged absolute pressure switch with electrical switching contact and an adjustable switching pressure between 0.5 and 2000 mbar (0.4 and 1500 Torr).

Through the differential pressure adapter (optional) the PS 115 pressure switch may be converted to operate as a differential pressure switch. The adapter consists of a DN 16 ISO-KF flange with screw-in thread and a sealing arrangement, and it is screwed into the PS 115 instead of the adjustment valve. The operating range extends to 2000 mbar (1500 Torr). Brief over-loading to 3000 mbar (2250 Torr) is permissible without impairing switching accuracy. In this operating range differential values of +5 to -20 mbar (+3.75 to -15 Torr) can be adjusted via the set screw.

Advantages to the User

- High switching accuracy (± 0.1 mbar)
- Stable long term operating characteristics
- Rugged, corrosion protected design
- Increased switching capacity (floating) when using the switching amplifier SV 110
- Switching contact (n.c.) in the reference chamber and thus protected against corrosion
- For operating pressures up to 3 bar
- For high ambient temperatures
- Upon request, the switching threshold may be set in the factory



Dimensional drawing for the pressure switch PS 115

Technical Data

Pressure Switch PS 115

Switching range	mbar (Torr)	0.5 to 2000 (0.375 to 1500)
Overload limit	mbar (Torr)	3000 (2250)
Sensitivity	mbar (Torr)	0.1 (0.75)
Switching hysteresis	mbar (Torr)	0.5 (0.375)
Temperature coefficient	% / K	0.4 of the switching value
Nominal temperature range		
briefly (max. 8 h)	°C	120
continuous	°C	0 to +90
Switching contact		Plug
Switching voltage	V	24
Switching current (max.)	mA	10
Contact resistance, max.	kW	1
Electrical connection		Plug (DIN 43 650)
Protection class	IP	65
Vacuum connection	DN	16 ISO-KF
Materials in contact with the medium		
Measurement chamber		Stainless steel 1.4301; 1.4401; 1.4310; 1.3541; FPM /FKM
Reference chamber		Stainless steel 1.4301; 1.4401; 1.3541; Glass; Gold
Volume of the measurement chamber approx.	cm ³	4
Volume of the reference chamber, approx.	cm ³	20
Weight	kg (lbs)	1.3 (2.87)

Ordering Information

Pressure Switch PS 115

	Part No.
Pressure Switch PS 115, DN 16 ISO-KF	160 04
Pressure switch adjustment	160 05
For floating installations without SV 110, Clamping ring DN 16 ISO-KF, plastic	200 28 306
Centering ring, DN 16 ISO-KF, plastic	200 28 307
Option Differential pressure adapter, DN 16 ISO-KF for connection to the PS 115	160 74
Spare parts kit PS 115	E 160 06
SV 110 switching amplifier	160 78